



TOWING TRACTOR **TD45**

Product features

- ◆ Spiral spring and hydraulic cylinder type shock absorber system.
- ◆ The precise inmotion controller has a self diagnosis function which is precise and efficient.
- ◆ The electric power recirculation ball type steering system.
- ◆ Vacuum booster hydraulic dual recirculation four wheel braking.

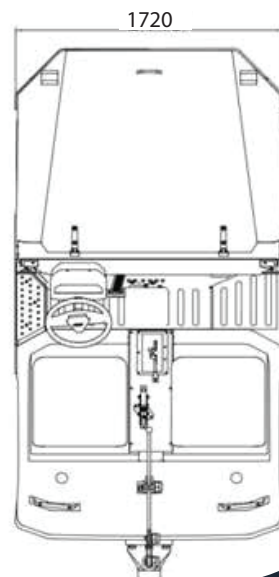
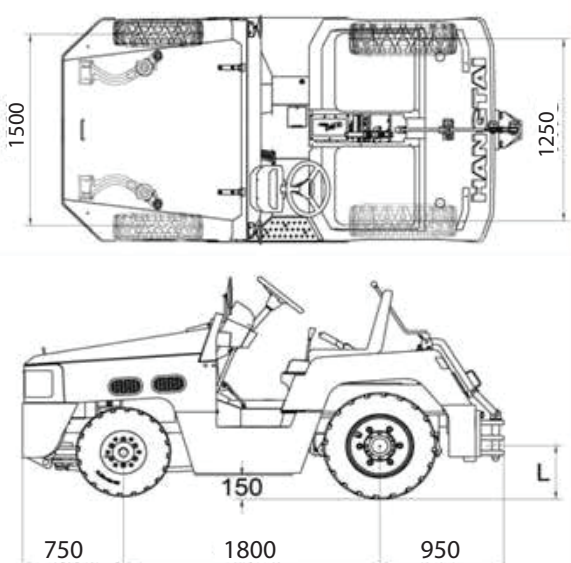
CONTACT US:

☎ +603-3149 1133 ✉ info@agriquip.net 🌐 www.agriquip.net

🏠 Lot 5936, Jalan Salak Tinggi / Banting,
RTB Bukit Changgang, 42700, Banting
Selangor Darul Ehsan, MALAYSIA

SPECIFICATION

Item		Unit	Model TD45	
Performance	Max. drawbar pull	kN	45	
	Max. towed weight at dry even concrete surface	With one trailer	kg	45000
		With a train of trailers	kg	62000
	Max. travel speed	Forward	Km/h	24
		Backward	Km/h	15
	Min. turning radius	mm	4000	
Max. gradability with no load	%	30		
Weight	Dead weight (no load)	kg	6300	
	Weight distribution	Front	kg	2000
		Rear	kg	4300
Dimensions	Outline dimension	Overall length with coupler	mm	3620
		Overall width	mm	1720
		Overall height	mm	2160
	Wheelbase	mm	1800	
	Wheel Track	Front	mm	1500
		Rear	mm	1250
	Front overhang	mm	750	
	Rear overhang	mm	950	
	Coupler height	mm	350-500	
Min. ground clearance	mm	140		
Engine	Model	Cummins QSF3.8 Turbo		
	Displacement	cm ³	3800	
	Rated output	KW/rpm	86/2200	
	Max. torque	N.m/rpm	500	
	Max. speed	rpm	3600	
Transmission	Gear shift method	Automatic		
	Operation mode	Okamura		
	Transmission gear ratio	Forward gear 1	2.91	
		Forward gear 2	1.56	
		Backward gear 1	2.23	
Backward gear 2		1.38		
Tire	Front	7.00-12		
	Rear	8.25-15		



CONTACT US:

+603-3149 1133

info@agriquip.net

www.agriquip.net

Lot 5936, Jalan Salak Tinggi / Banting, RTB Bukit Changgang, 42700, Banting Selangor Darul Ehsan, MALAYSIA