



DIESEL CART

ADC 2000

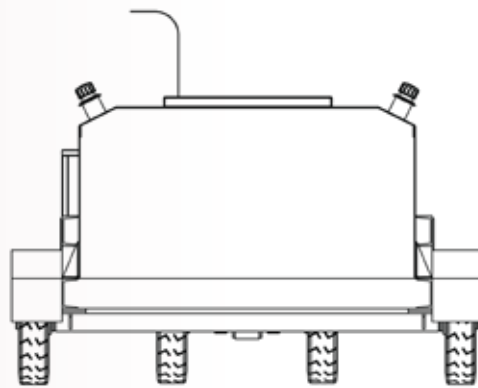
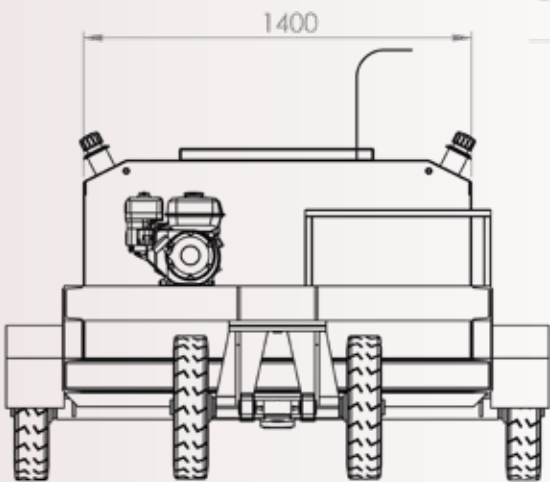
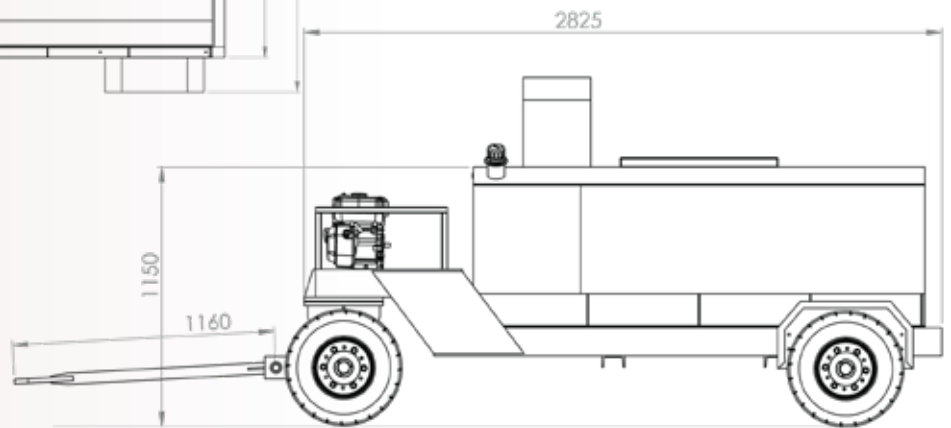
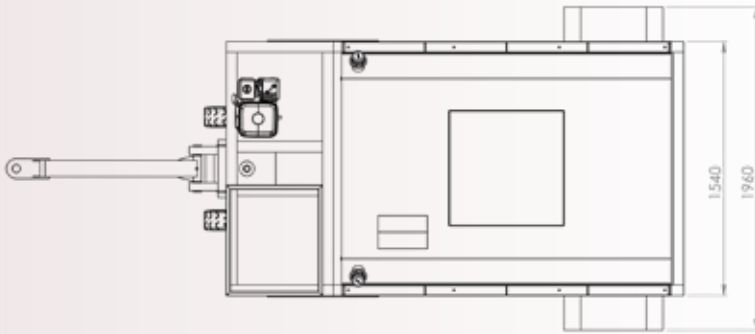
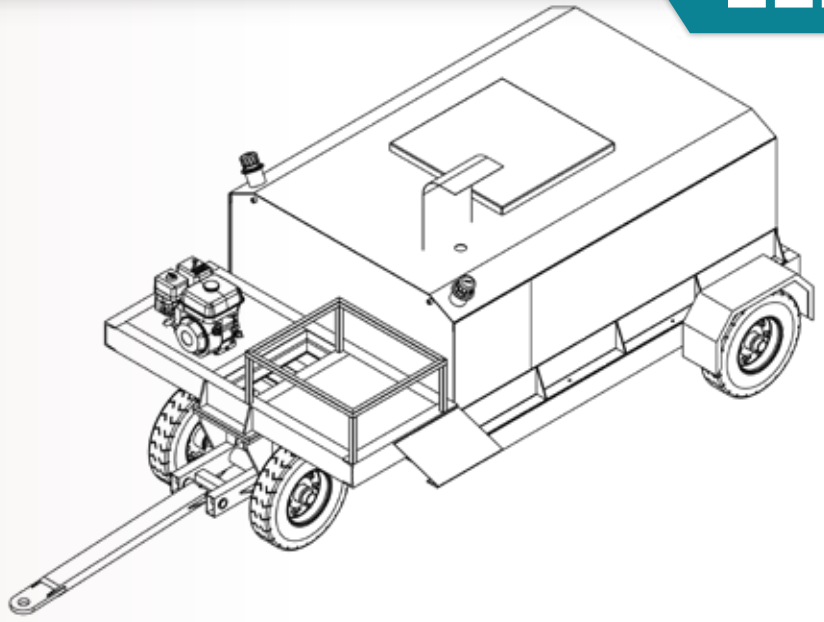
SPECIFICATION

MODEL	ADC 2000
CHASSIS	Steel C-Channel and plate 3mm
WHEEL	Pneumatic tyre 6.00 x 8. Tapered roller bearing with seal
TANK	Mild steel plate 3mm with buffer and manhole. Capacity 2200 Liters
BRAKE	Tyre chock on rear wheel
GENSET	Honda GX 160.240V AC. (Optional Diesel)
PUMP	Adam Pump Hi-Tech HT80013
EMPTY WEIGHT	Approx 550kg
MAX TOW SPEED	25kmh

CONTACT US:

+603-3149 1133 info@agriquip.net www.agriquip.net

Lot 5936, Jalan Salak Tinggi / Banting, RTB Bukit Changgang, 42700, Banting Selangor Darul Ehsan, MALAYSIA



*Due to continual product improvement, the specifications and dimensions are subject to change without notice.

CONTACT US:

+603-3149 1133

info@agriquip.net

www.agriquip.net

Lot 5936, Jalan Salak Tinggi / Banting,
RTB Bukit Changgang, 42700, Banting
Selangor Darul Ehsan, MALAYSIA